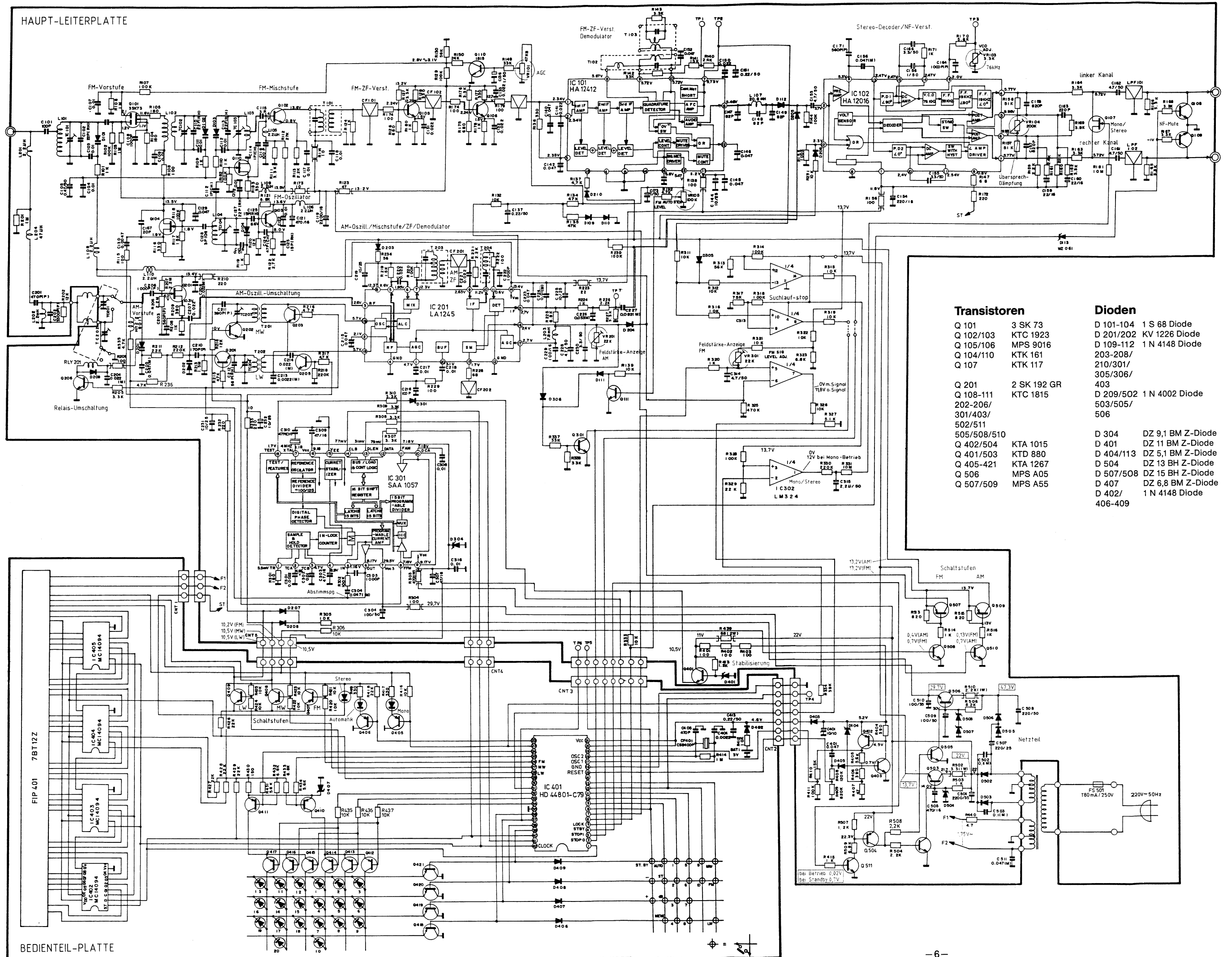


HAUPT-LEITERPLATTE



Transistoren

- Q 101 3 SK 73
- Q 102/103 KTC 1923
- Q 105/106 MPS 9016
- Q 104/110 KTK 161
- Q 107 KTK 117
- Q 201 2 SK 192 GR
- Q 108-111 KTC 1815
- 202-206/301/403/502/511 505/508/510
- Q 402/504 KTA 1015
- Q 401/503 KTD 880
- Q 405-421 KTA 1267
- Q 506 MPS A05
- Q 507/509 MPS A55

Dioden

- D 101-104 1 S 68 Diode
- D 201/202 KV 1226 Diode
- D 109-112 1 N 4148 Diode
- 203-208/210/301/305/306/403
- D 209/502 1 N 4002 Diode
- 503/505/506
- D 304 DZ 9,1 BM Z-Diode
- D 401 DZ 11 BM Z-Diode
- D 404/113 DZ 5,1 BM Z-Diode
- D 504 DZ 13 BH Z-Diode
- D 507/508 DZ 15 BH Z-Diode
- D 407 DZ 6,8 BM Z-Diode
- D 402/406-409 1 N 4148 Diode

BEDIENTEIL-PLATTE